

MECHANICAL LOCK WITH SOLENOID PLUNGER

LIMIT SWITCH

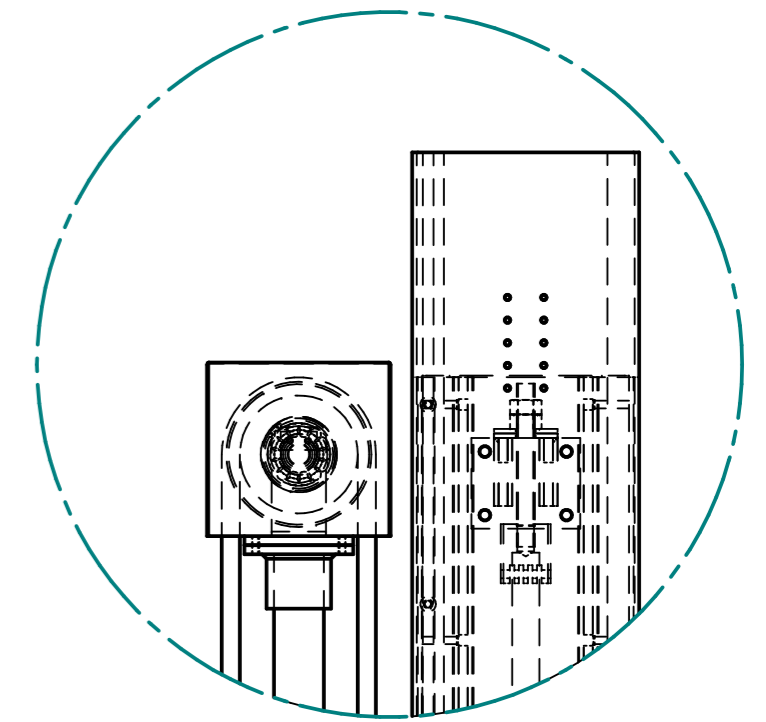
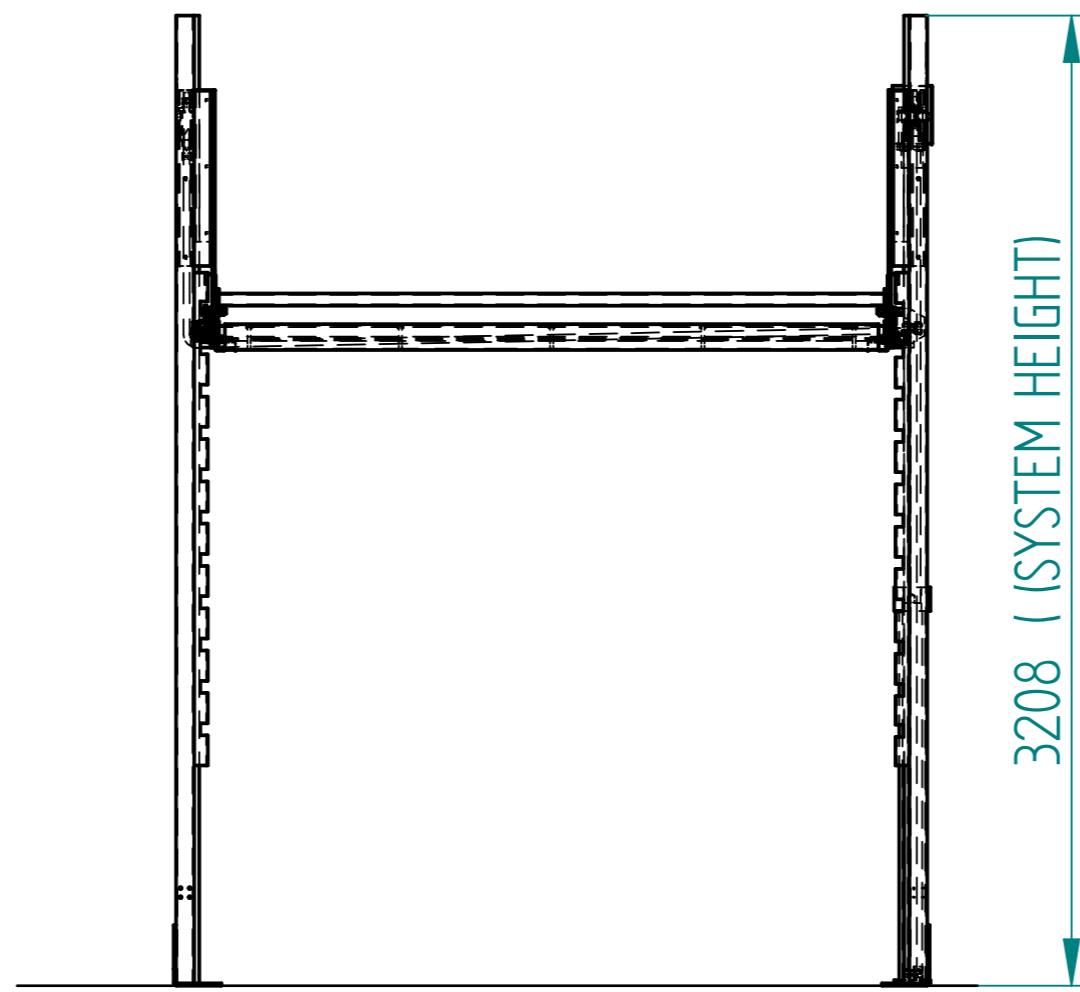
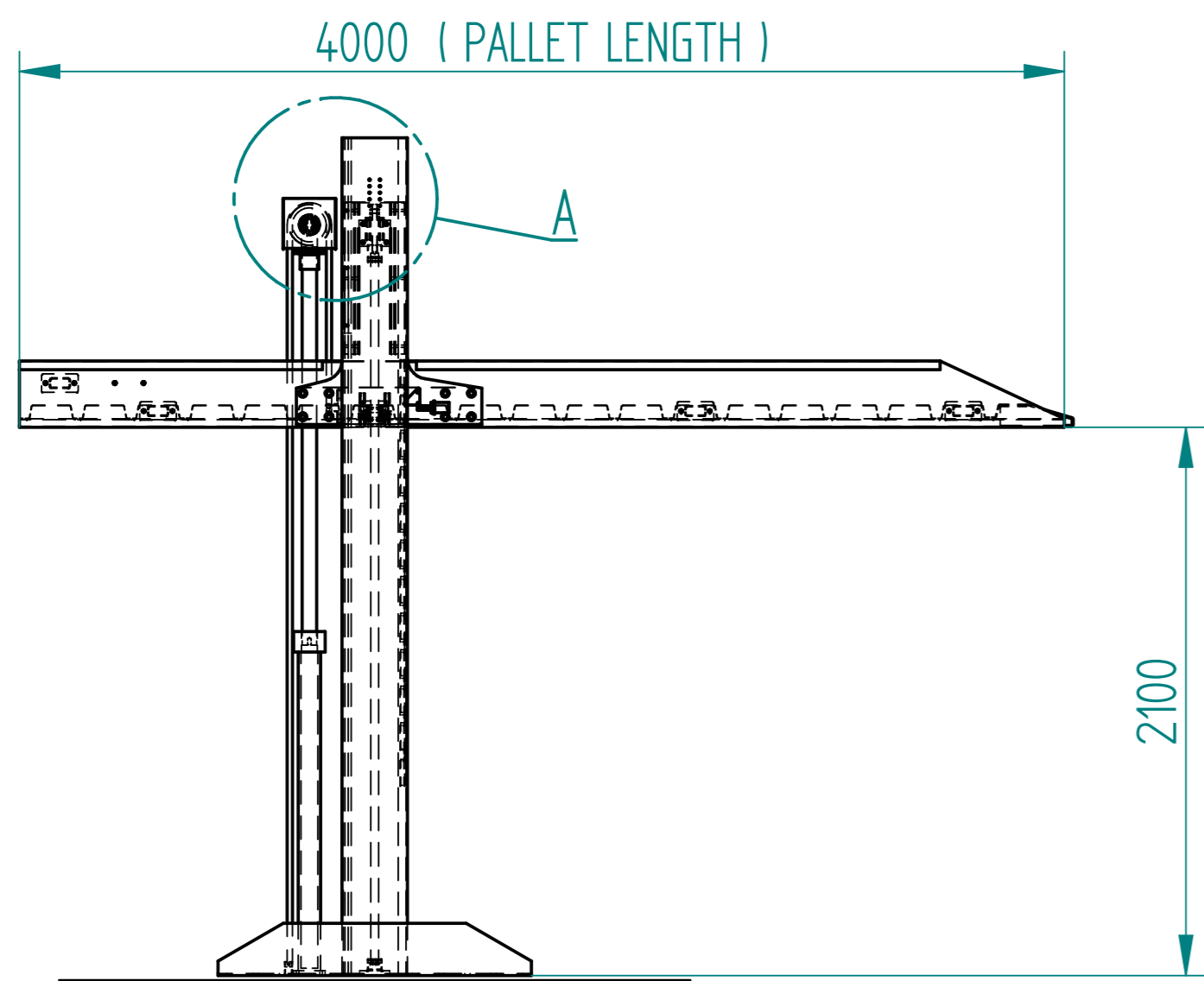
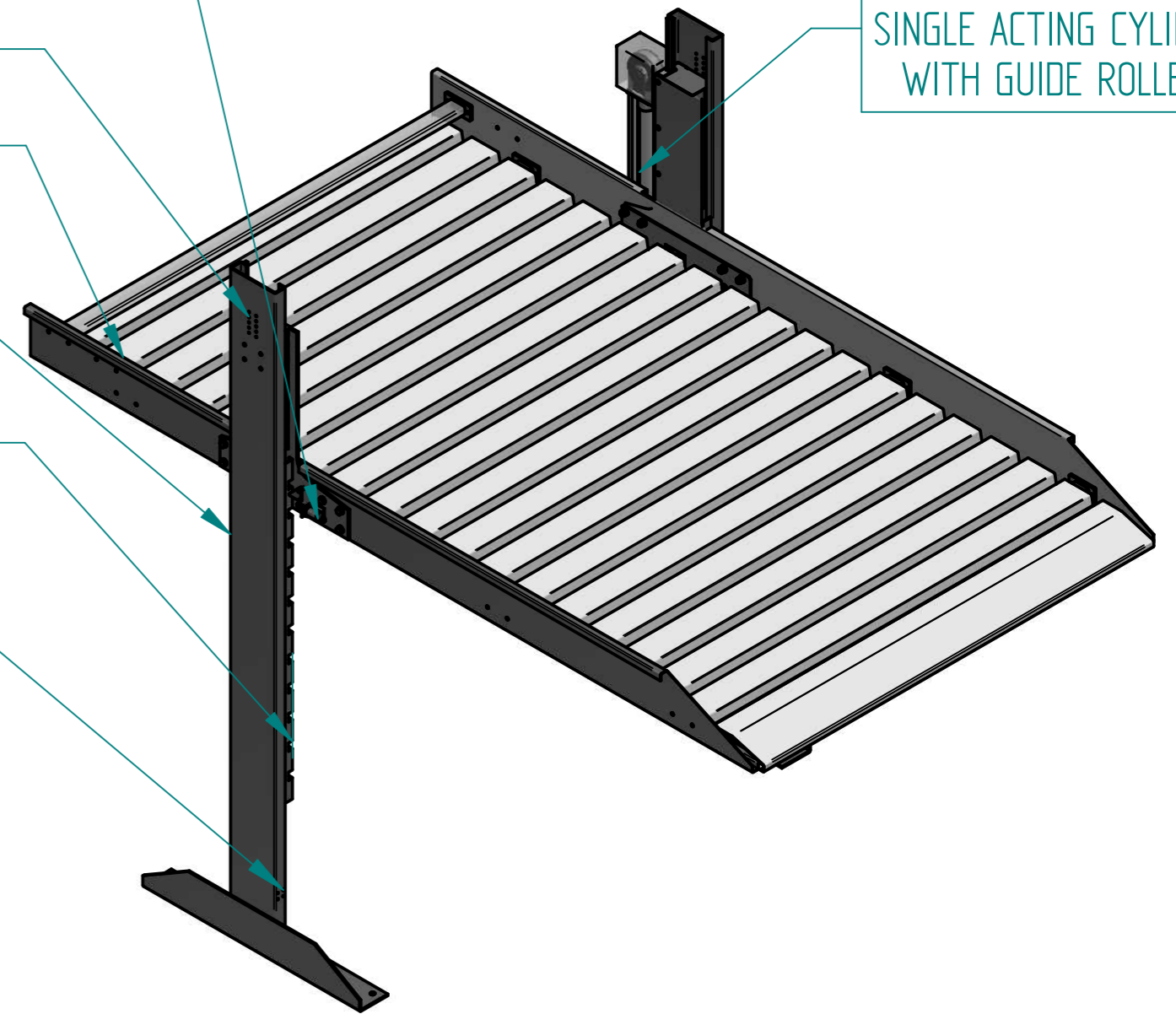
DECKING SHEET PLATFORM (GI)

SIDI COLUMN

12 FULL RANGE DYNAMINC LOCK

CAR PRESENCE SENSOR

SINGLE ACTING CYLINDER WITH GUIDE ROLLERS



DETAIL A

	NAME	DATE	ESKAY ELEVATORS (I) PVT. LTD.		
DRAWN	VAIBHAV	18/09/17	TITLE G.A.DRAWING FOR HYDRAULIC STACKER		
CHECKED	VAIBHAV	18/09/17			
ENG APPR	C.PEREIRA	18/09/17			
MGR APPR					
UNLESS OTHERWISE SPECIFIED ALL DIMENSIONS ARE IN MILLIMETERS			SIZE A2	DWG NO HS-10-00-000	REV 00
VARIATIONS TO DIMENSIONS WITH UNSPECIFIED TOLERANCE VALUES ARE IN ACCORDING WITH "DIN ISO 2768-mK"			PARENT CODE:		
			SCALE: 1 : 25	MASS: 775 KG	SHEET 1 OF 1