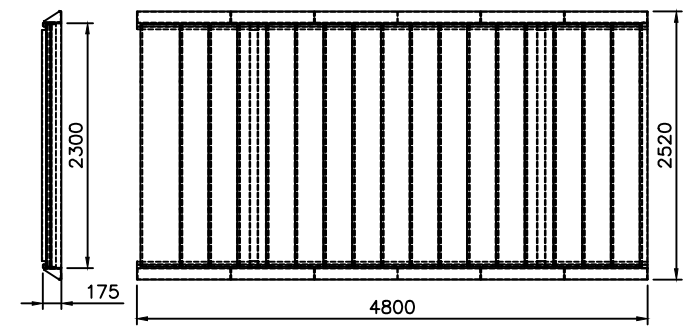
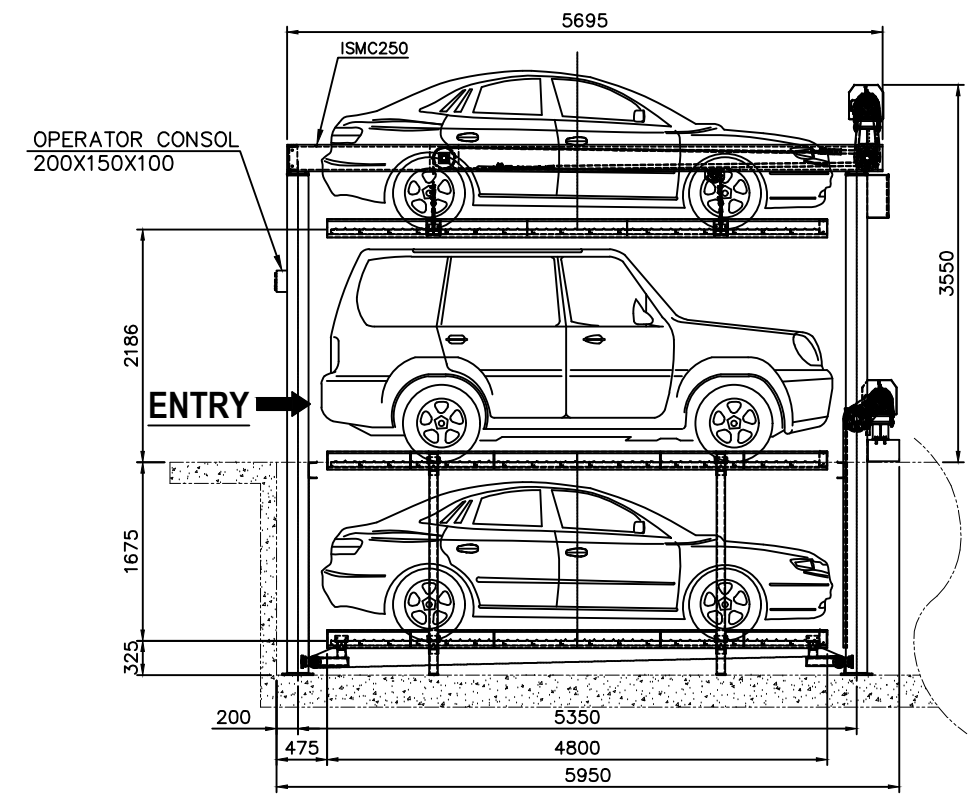
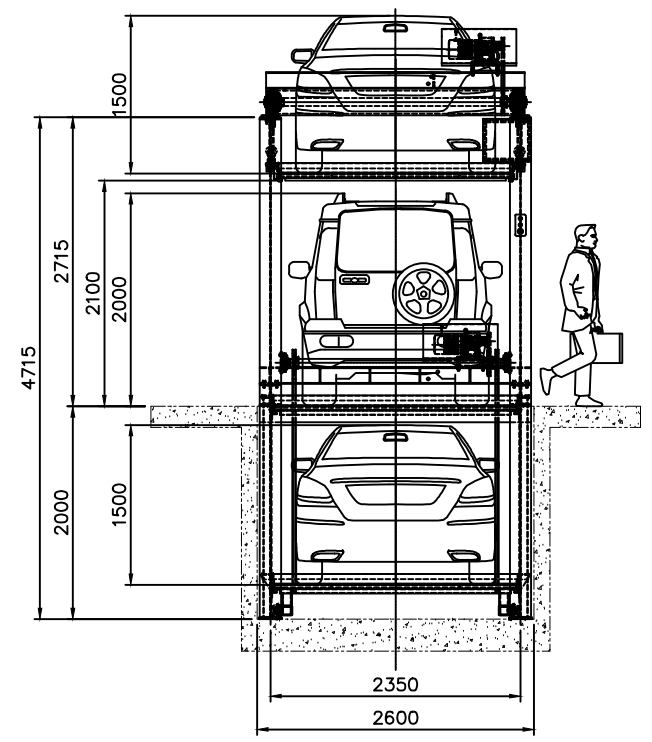
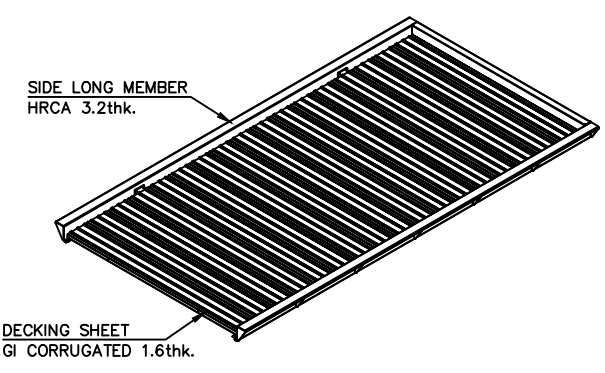
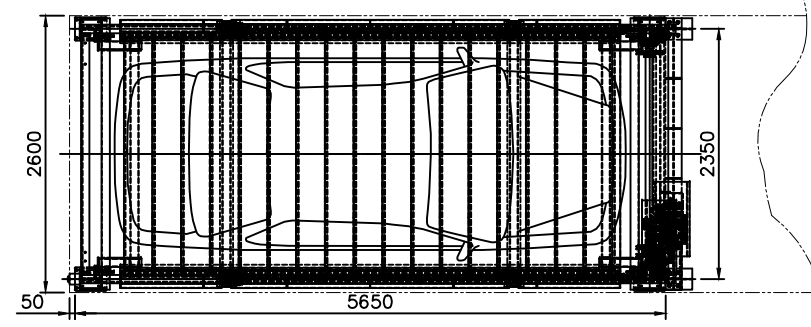
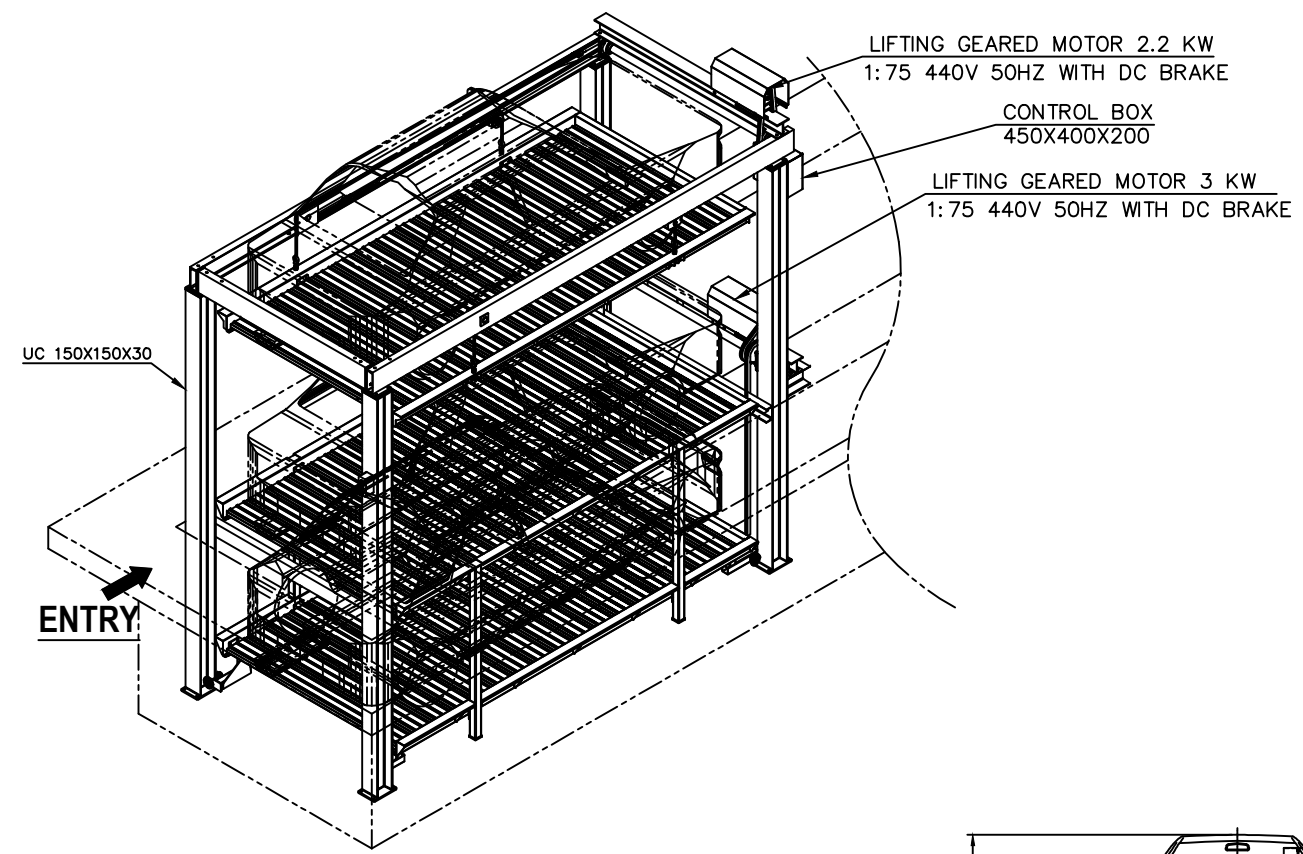


3 LEVEL MOTORIZED PIT STACKER PARKING SYSTEM SPECIFICATION			
CAR LENGTH	4900MM		
CAR WIDTH	2100MM (INCLUDING OPEN MIRRORS)		
	PIT PALLET	GROUND PALLET	1L PALLET
CAR HEIGHT	1500MM	2000MM	1700 OR 2000MM
CAR WEIGHT	2000Kg.	2000Kg.	2000Kg.
LIFTING MOTOR	MOTOR	3Kw x 4P	
PIT PALLET	SPEED	APPX. 2.9 M/MIN	
LIFTING MOTOR	MOTOR	2.2Kw x 4P	
TOP PALLET	SPEED	APPX. 3.2 M/MIN	
POWER	AC 415V x 3 x 50Hz WITH NEUTRAL AND EARTHING		
OPERATION	PUSH BUTTON S/W		



IMPORTANT NOTE :- LAYOUT & ALL SIZE OF OPENING & PLATFORM WILL BE CHANGE SUBJECT TO ACTUAL SITE DIMENSIONS.